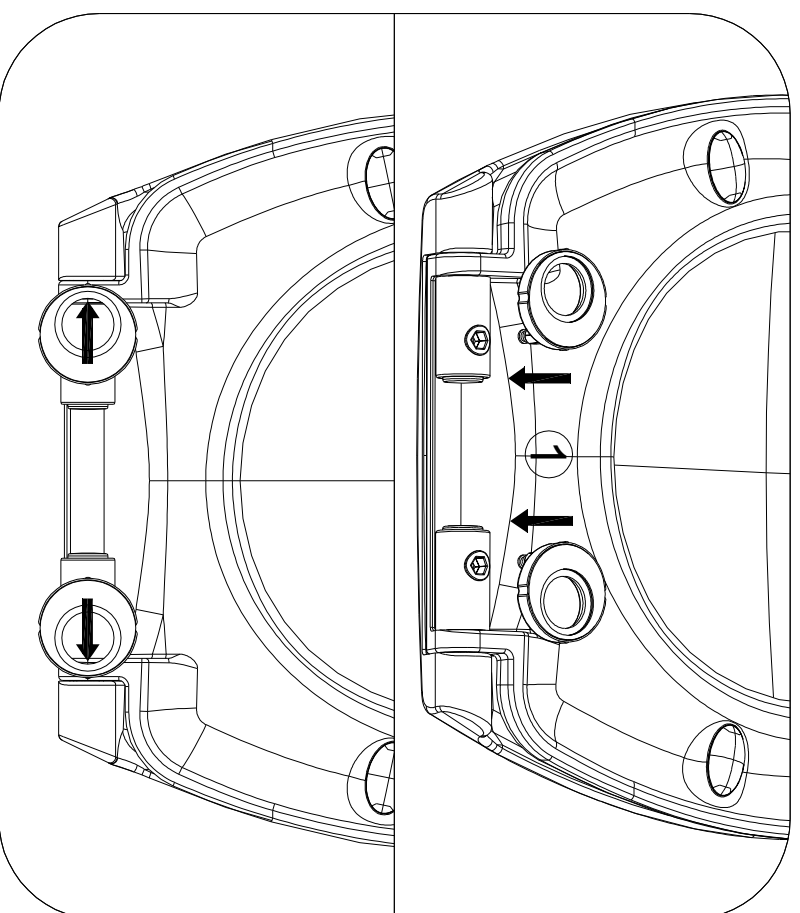
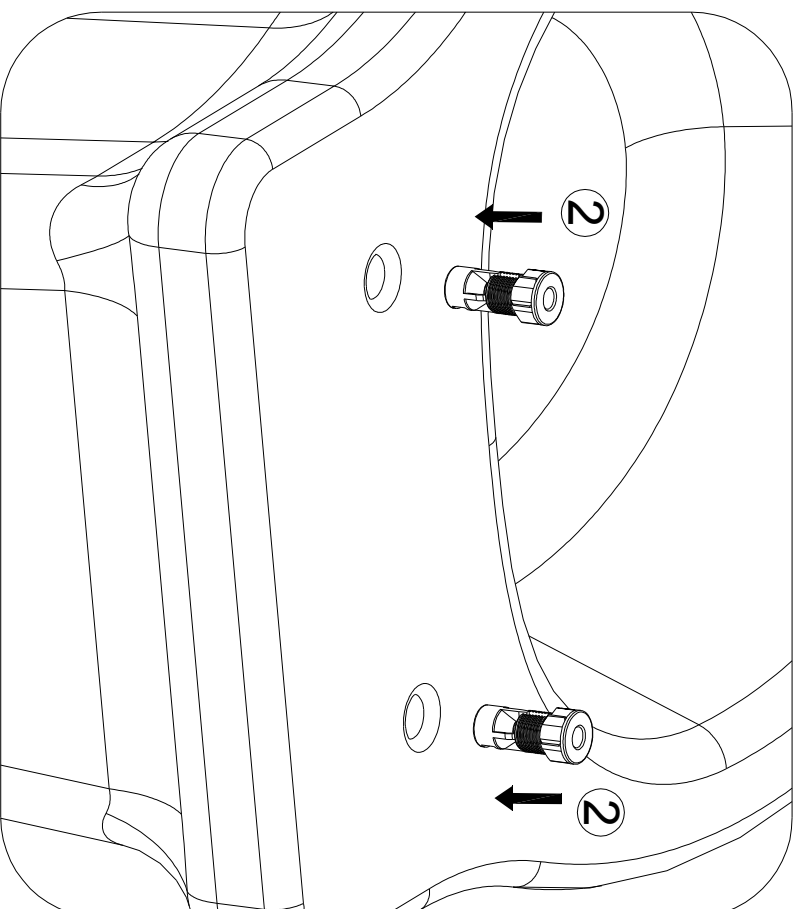


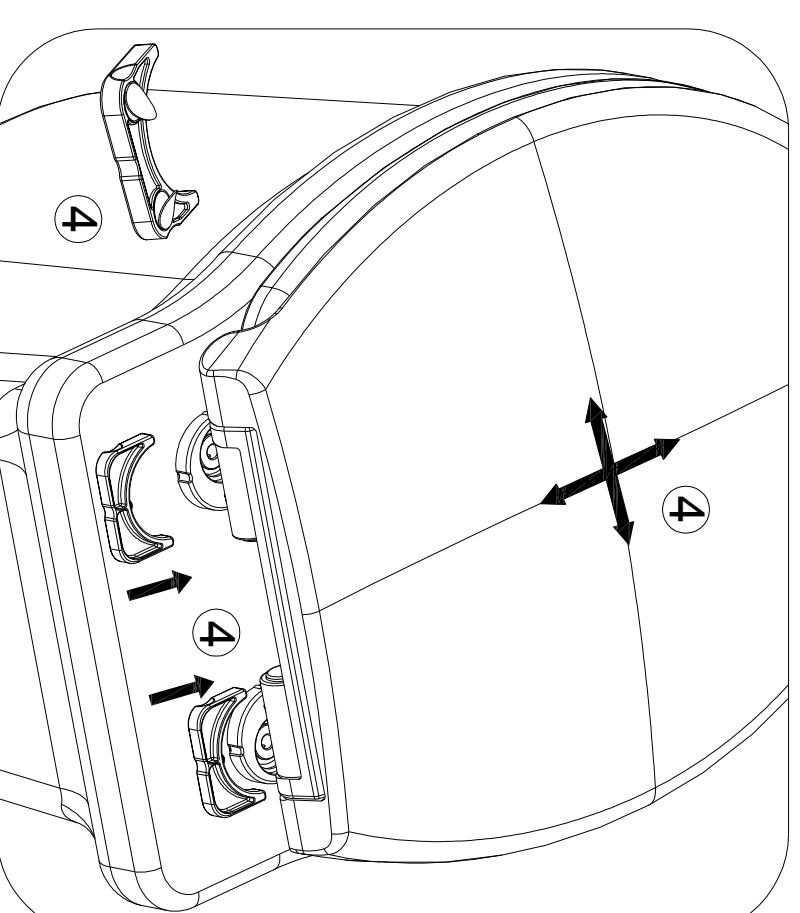
# Installation Sheet



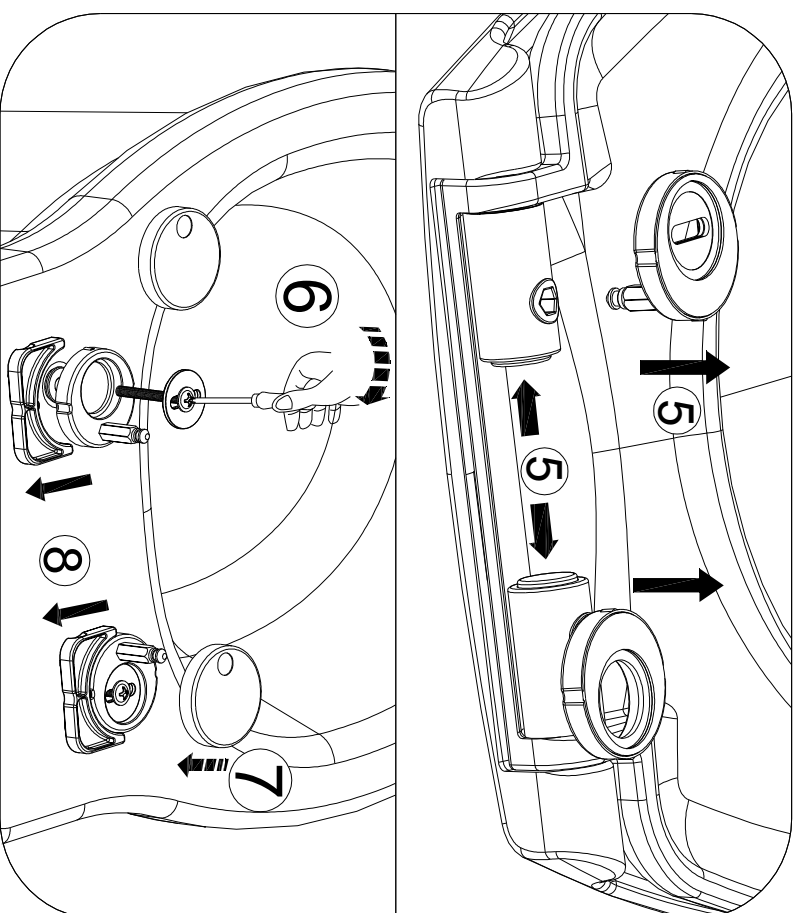
1. Insert the hinge bases as the above.



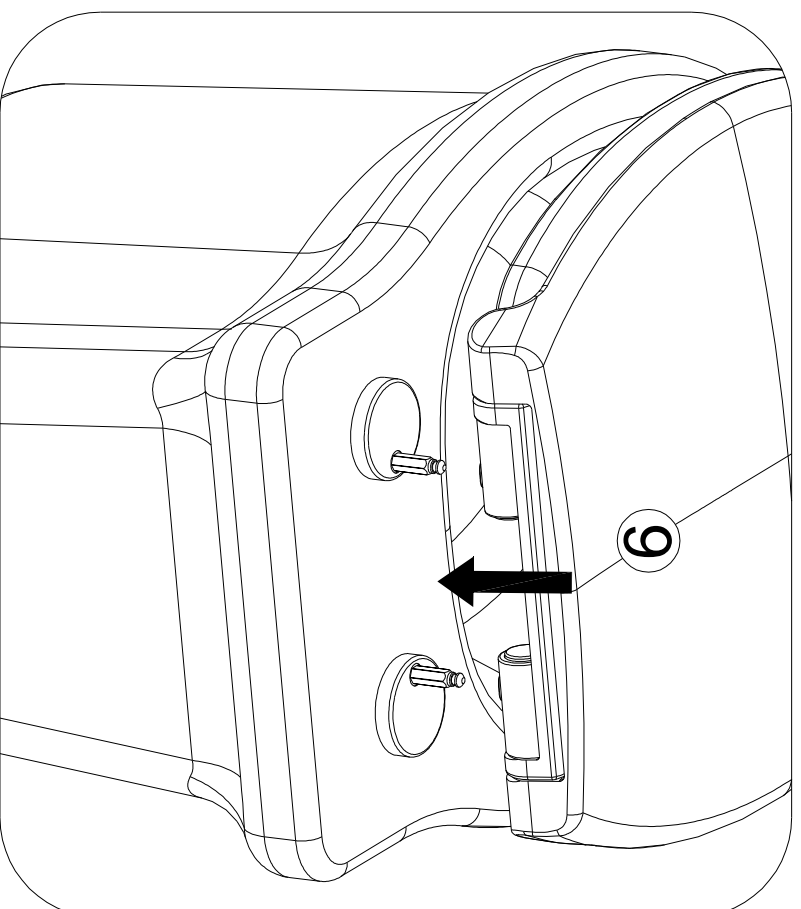
2. Insert the plugs into the fixing holes.



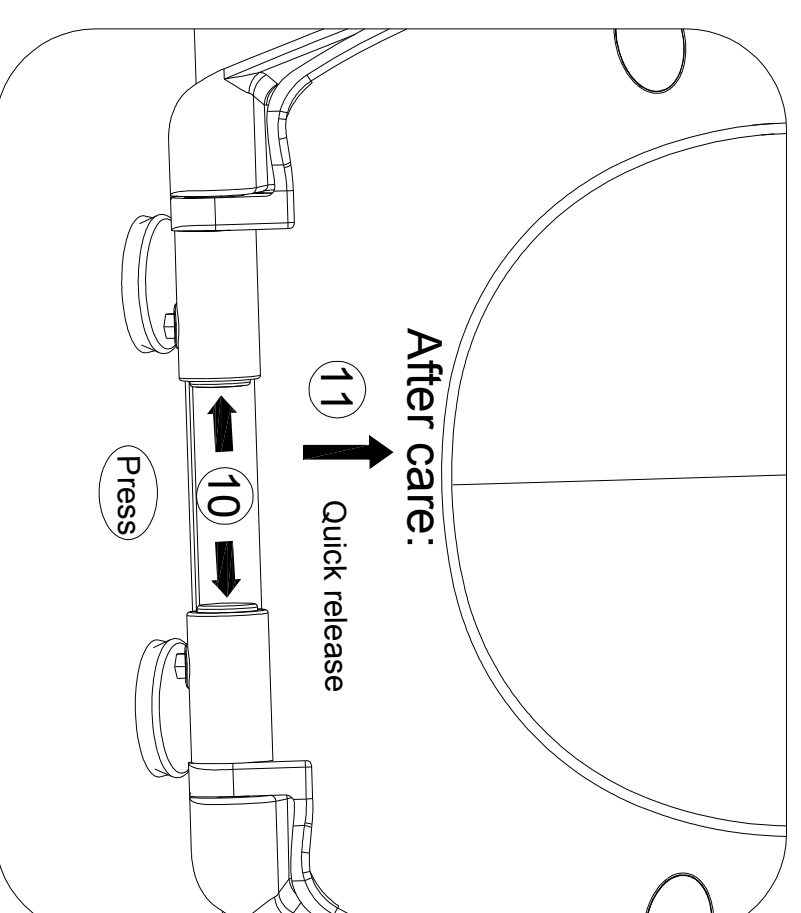
3. Align the seat with the pan and mark the hinge bases positions by sticking the plastic parts.



4. Fix the hinge fixings as above and remove the sticking parts.



5. Insert the seat & cover back onto the hinge bases.



6. Click the buttons to release the seat & cover.